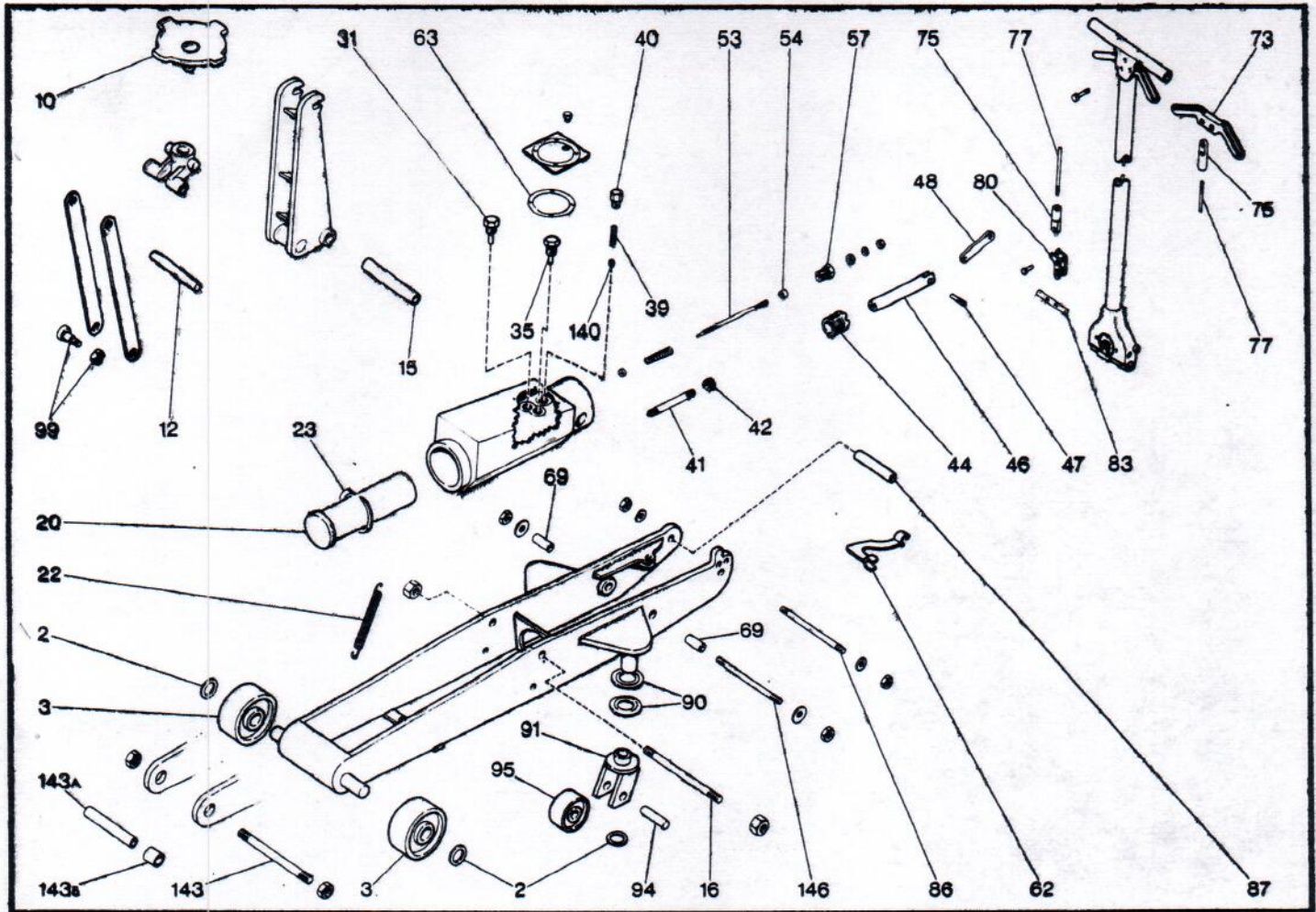


Jack Model 70 - 2½ Ton



IMPORTANT Manufacturer's model numbers, part numbers and descriptions are for identification purposes only.

LIST OF SPARES

Part No.	Description	Part No.	Description
2/70	Front Wheel Washer	48/70	Plunger Link
3/70	Front Wheel	53/70	Release Spindle
10/100	Crutch	54/70	Release Spindle Packing Bush
12/70	Crosshead Pin	57/70	Release Spindle Housing
15/70	Bellcrank Tube	62/70	Release Cam. Lever
16/70	Bellcrank Bolt	63/70	Tank Cover Gasket
20/70	Ram	69/70	Trunion Pin
22/70	Return Spring	73/70	Handle Top Lever
23/70	Snap Ring	75/70	Control Rod Knuckle
31/70	H.P. Valve Plug	77/70	Control Rod
35/70	L.P. Valve Plug	80/70	Handle Bottom Lever
39/70	L.P. Release Spring	83/70	Release Bar Pin and Stud
40/70	L.P. Release Plug	86/70	Handle Bottom Bolt
41/70	H.P. Plunger	87/70	Handle Bottom Tube
42/70	H.P. Plunger Gland	90/70	Castor Race Plate (Pair)
44/70PH	L.P. Plunger Gland 1½"	91/70	Castor Fork
44/70B	L.P. Plunger Gland 1¾"	94/70	Castor Axle
46/70PH	L.P. Plunger ¾" x 1½"	95/70	Castor Wheel
46/70B	L.P. Plunger ¾" x 1½"	99/70PH	Compensator Bolt
47A/70	Link Pin (Short)	99/70A	Compensator Bolt
47B/70	Link Pin (Medium)	99/70B	Compensator Bolt
47C/70	Link Pin (Long)	140/70	L.P. Release Piston

ORDER FROM AIR HYDRAULIC SERVICES (ENGINEERING) LTD.
TELEPHONE 045 - 424 - 862