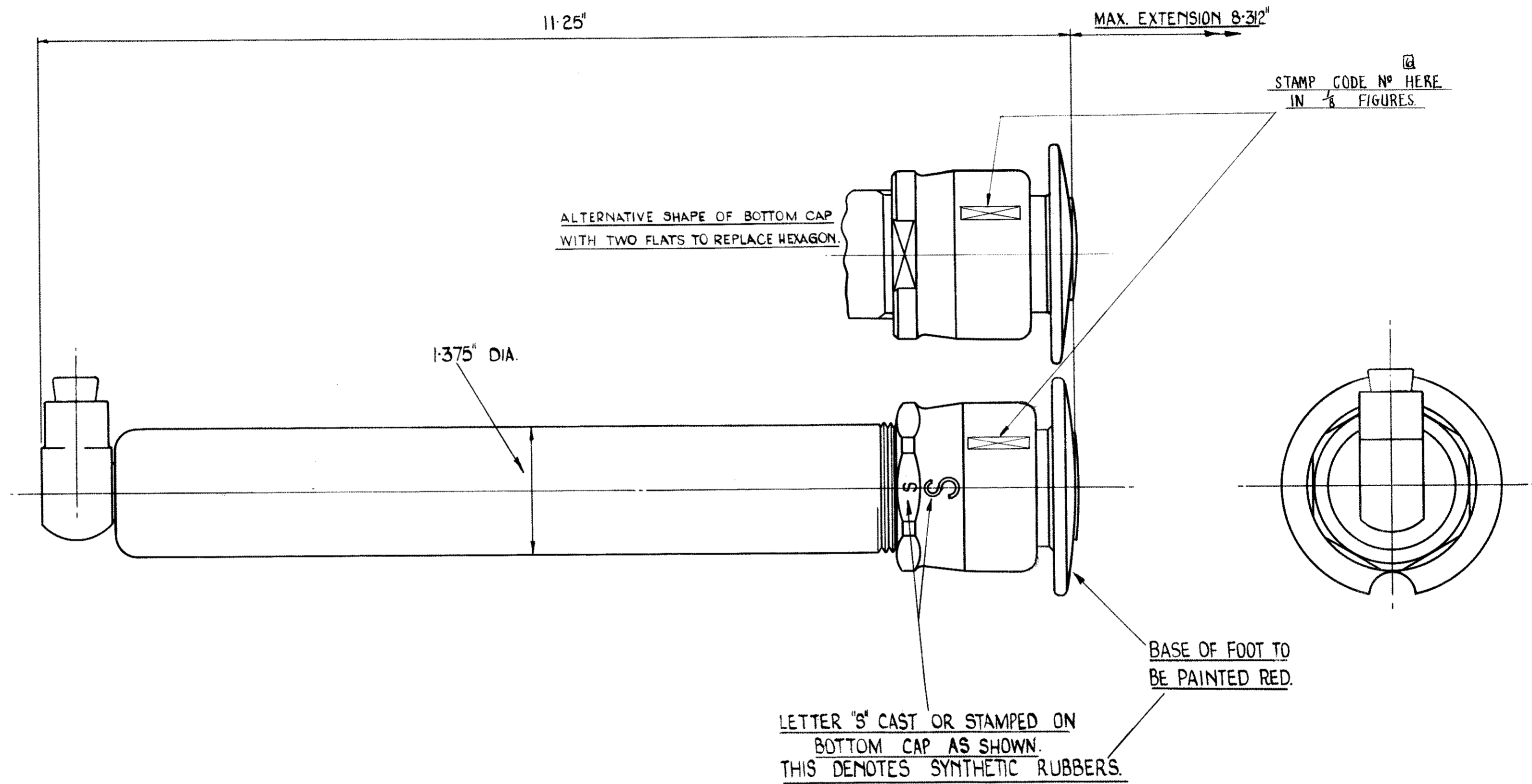


SHEET No 2  
 No OF SHEETS 2

SMITHS JACKING SYSTEMS LTD JACKALL WORKS. EDGWARE ROAD. N. W. 2.		SCALE :- 1/4	
DESCRIPTION	MATERIAL	DR	1 15-5-45 EH
SMALL TYPE HYD.	AS LIST.	2	14-11-45 EH
JACK 8 5/16" STROKE		CH.	3 2-7-46. RW
(SYNTHETIC RUBBERS)	FINISH	4	27-8-46 RW
	NATURAL.	5	30-10-46 RW
		6	21-2-47 EH
		7	9-4-47 EH
		8	

**X U**  
**62573.**

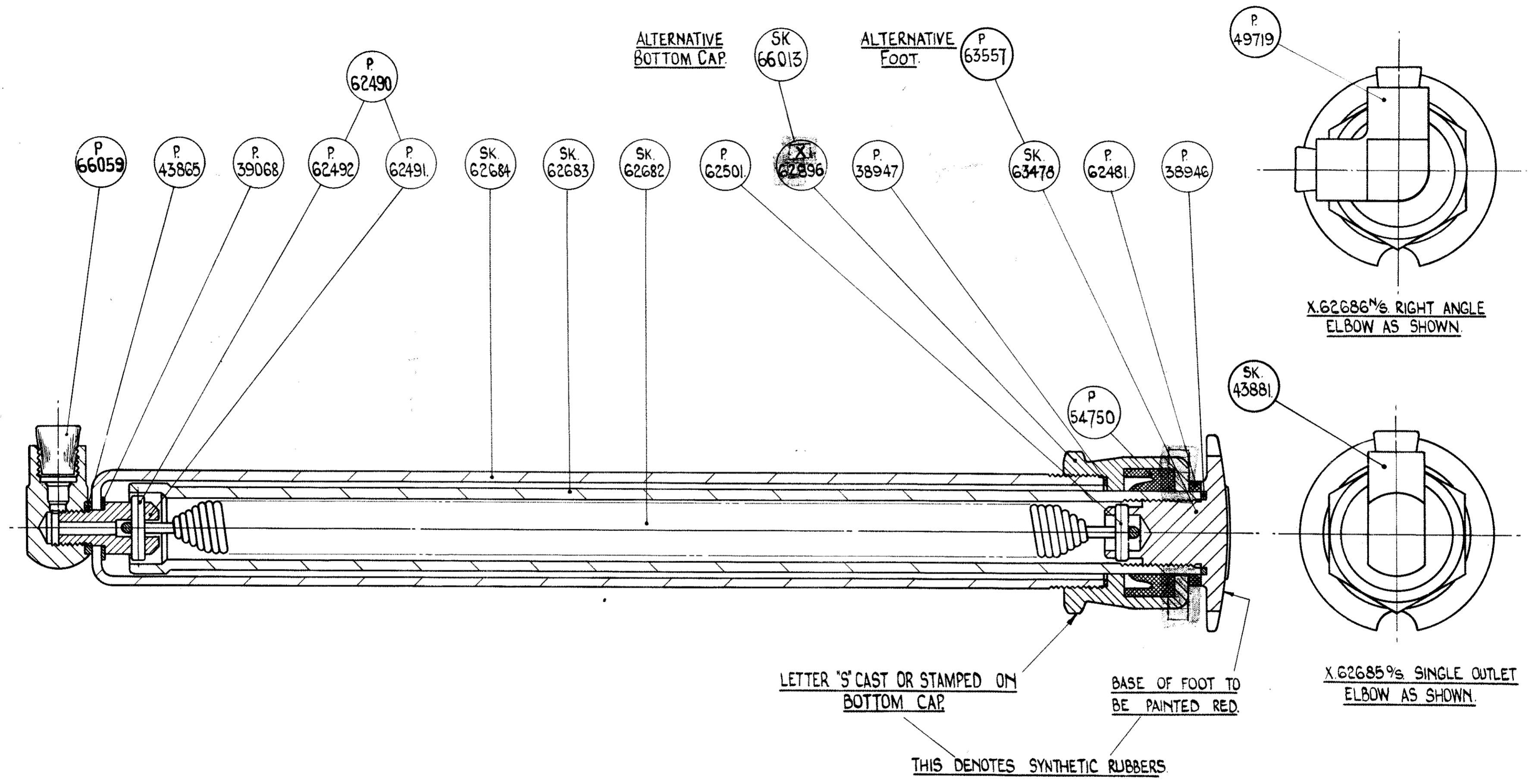


\* IF REQUIRED FOR M.O.S. FINISH TO SCHEDULE 5 OF APPENDIX IV OF F.V.R.D.E. SPECIFICATION 2012.

SHEET No 1  
No OF SHEETS. 2.

SMITHS JACKING SYSTEMS LTD JACKALL WORKS. EDGWARE ROAD. N.W.2.		SCALE: 1/1	
DESCRIPTION	MATERIAL	REV	DATE
SMALL TYPE HYD. JACK. 8 5/16" STROKE.	AS LIST.	1	17-5-45 EH
(SYNTHETIC RUBBER)	FINISH BLACK ENAMEL *	2	14-11-45 EH
		3	30-10-46 GH
		4	9-4-47 GH
		5	10-11-47 CS
		6	14-7-59 HE/73A
		7	
		8	

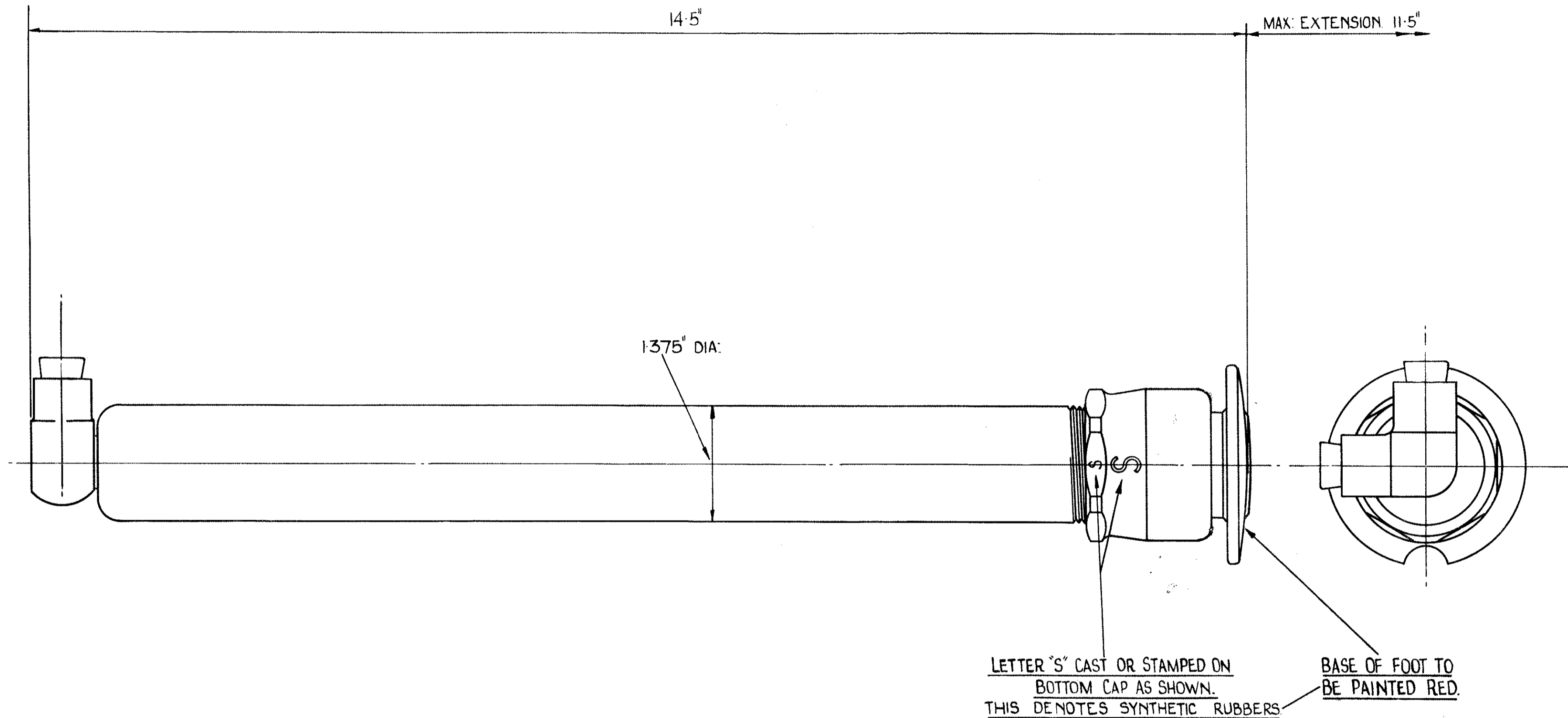
**X** U  
**62573**



SHEET No 2.  
No OF SHEETS 2.

SMITH'S JACKING SYSTEMS LTD JACKALL WORKS. EDGWARE ROAD. N.W.2.		SCALE:- 1/4"	
DESCRIPTION	MATERIAL	DR.	1 21-2-46 H.
SMALL TYPE HYD: JACK 11 1/2" STROKE (SYNTHETIC RUBBER.)	AS LIST.	CH.	2 2-7-46 EH
		CH.	3 27-8-46 GH
		CH.	4 30-10-46 GH
		TR	5 21-2-47 GH
		CH.	6 19-4-47 GH
FINISH.			

X.62685 1/2s  
X.62686 1/2s

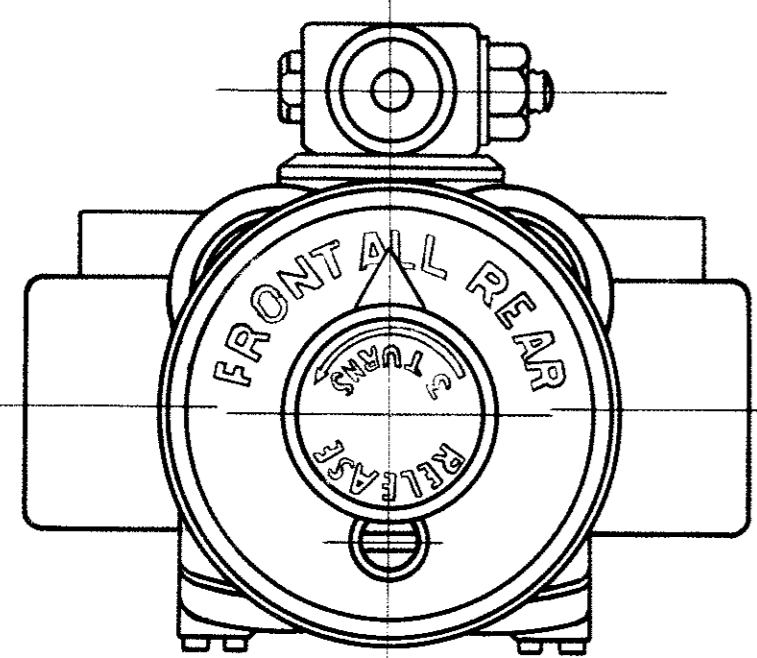


X.62686 HAS RIGHT ANGLE ELBOW AS SHOWN.  
 X.62685 " SINGLE OUTLET ELBOW.

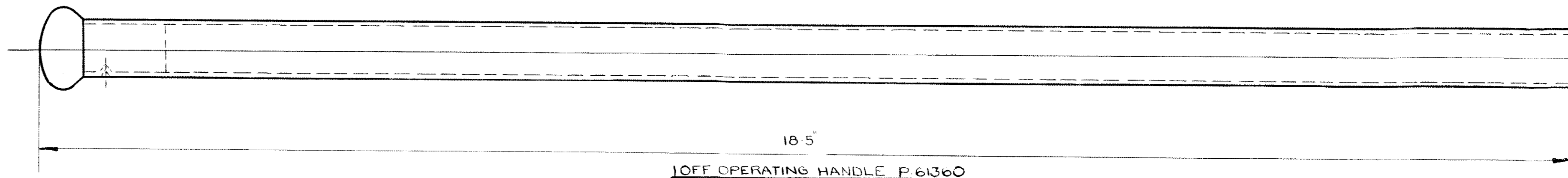
SHEET No 1  
 No OF SHEETS. 2.

<b>SMITH'S JACKING SYSTEMS LTD JACKALL WORKS. EDGWARE ROAD. N.W.2.</b>		<b>SCALE: - 1/1</b>	
DESCRIPTION.	MATERIAL.	DR.	1   13-7-45   PA
SMALL TYPE HYD: JACK. 11 1/2" STROKE.	AS LIST.	D.A.	2   30-10-46   GH
		CH	3   9-4-47   RH
(SYNTHETIC RUBBER)	FINISH.	A.S.W.	4
		TR	5
			6
			7

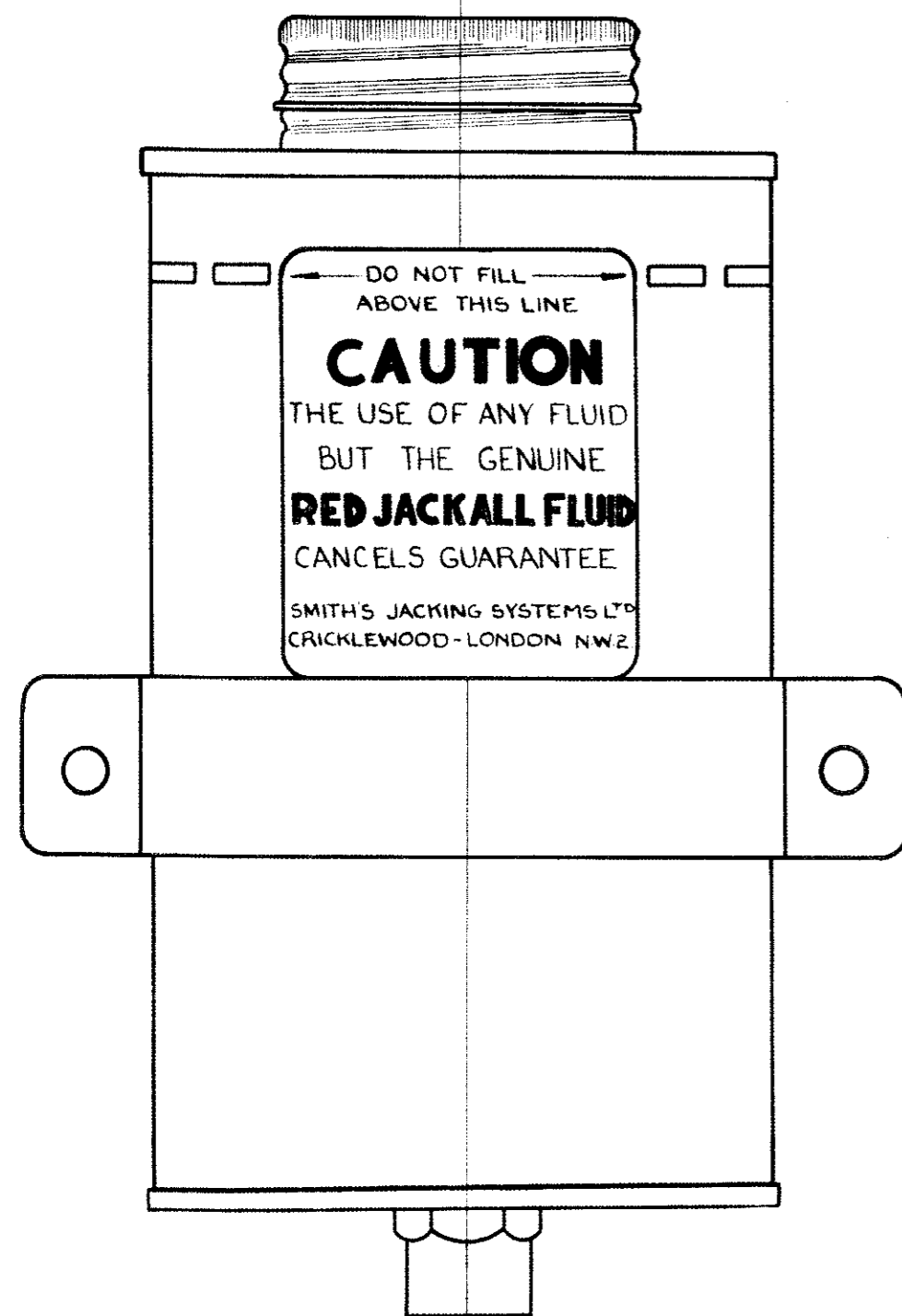
**X.62685**<sup>5</sup>/<sub>S</sub>  
**X.62686**<sup>5</sup>/<sub>S</sub>



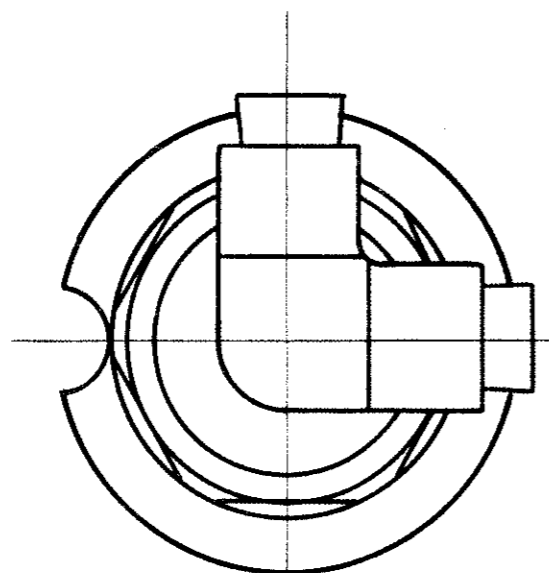
1 OFF DISTRIBUTOR BOX Y.62058A



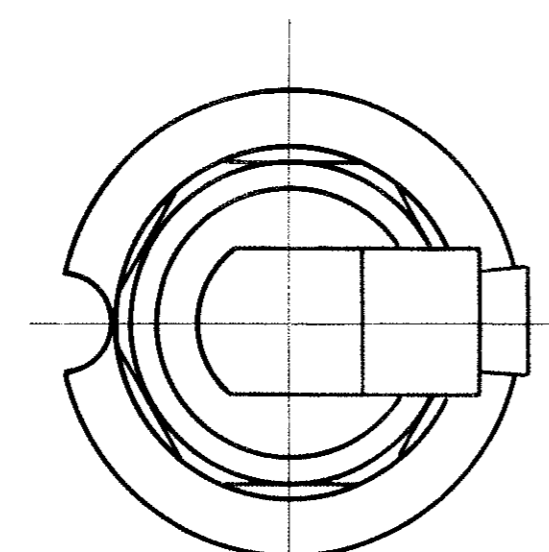
1 OFF OPERATING HANDLE P.61360



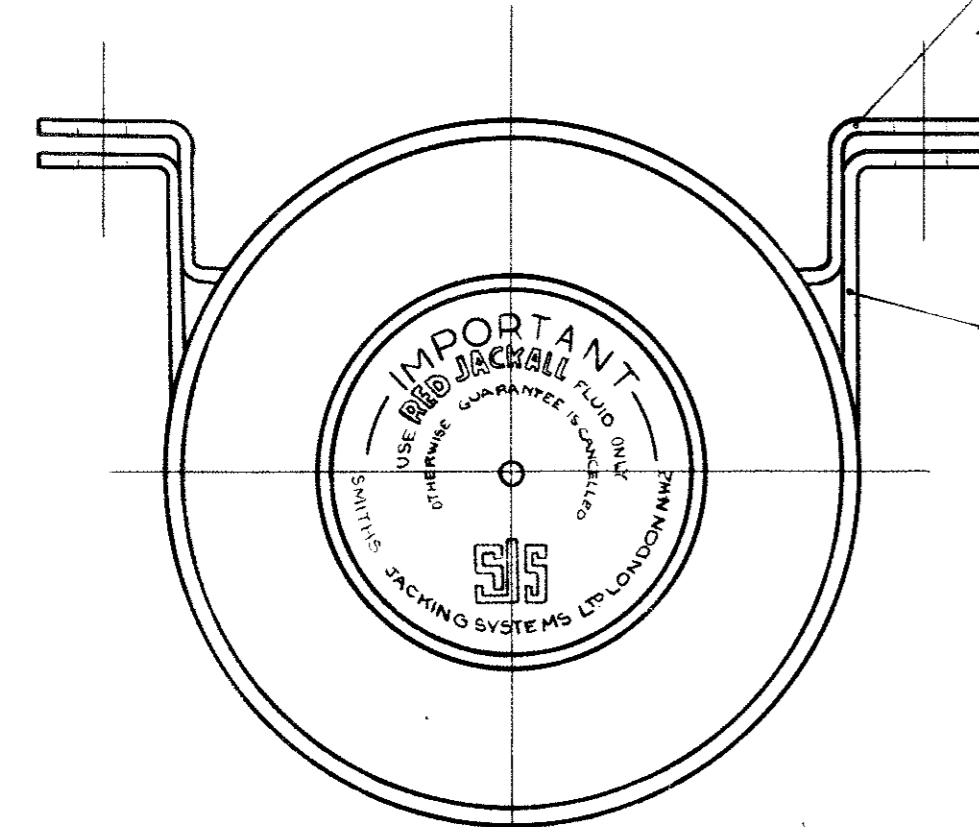
1 OFF SUPPLY TANK X.62476



PLAN OF FRONT N/S  
JACK X.62686 SHOWING  
RIGHT ANGLE ELBOW



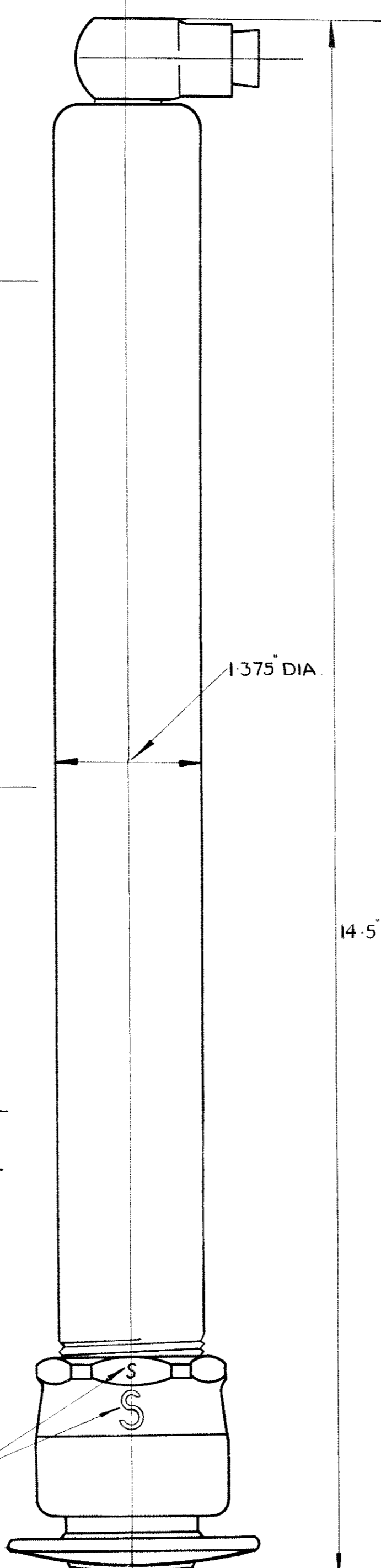
PLAN OF FRONT O/S  
JACK X.62685 SHOWING  
SINGLE OUTLET ELBOW



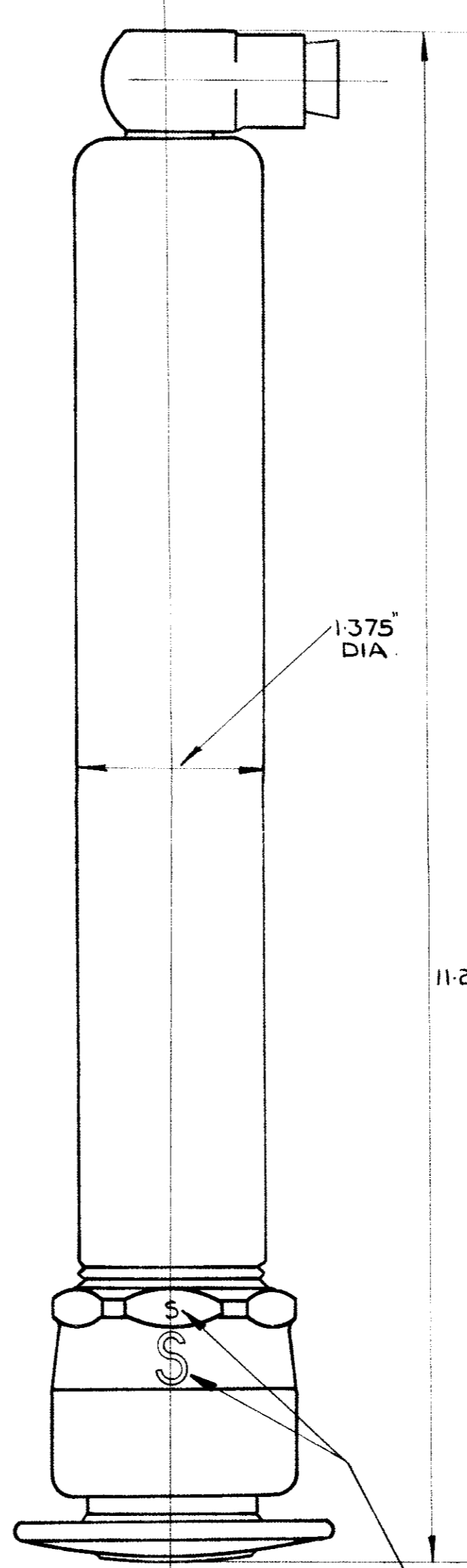
LETTER "S" CAST OR STAMPED  
ON BOTTOM CAP AS SHOWN.  
BASE OF FOOT TO BE PAINTED RED.  
THIS DENOTES SYNTHETIC RUBBERS.

1 OFF CLAMP (BOTTOM HALF)  
SK.39044  
SUPPLIED LOOSE WITH SET.

1 OFF CLAMP (TOP HALF)  
SK.39009  
SUPPLIED LOOSE WITH SET.

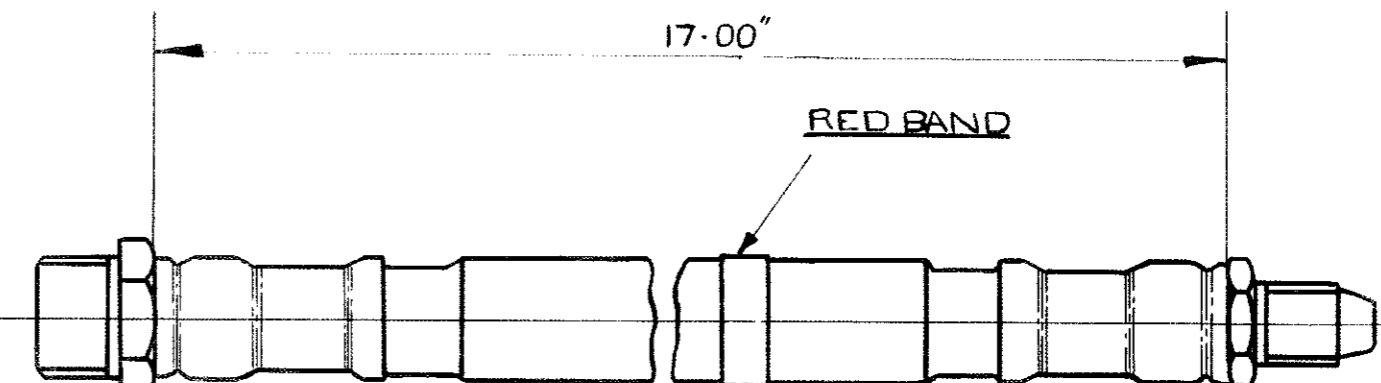


1 OFF FRONT N/S JACK X.62686  
1 OFF FRONT O/S JACK X.62685  
MAX. EXTENSION 11.5"



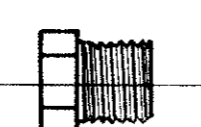
2 OFF REAR JACK X.62573  
MAX. EXTENSION 8.312

LETTER "S" CAST OR STAMPED  
ON BOTTOM CAP AS SHOWN.  
BASE OF FOOT TO BE PAINTED RED.  
THIS DENOTES SYNTHETIC RUBBERS.

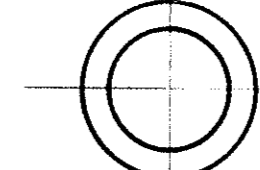


1 OFF FLEXIBLE CONNECTION SK.62666

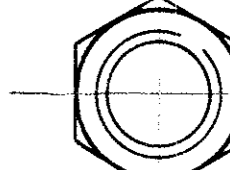
TO DENOTE SYNTHETIC RUBBER CORE,  
ALL FLEXIBLE CONNECTIONS MARKED  
WITH RED BAND.



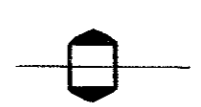
5 OFF TUBING NUT 1509 x 4  
SUPPLIED LOOSE WITH SET



2 OFF WASHER 2403 x 4



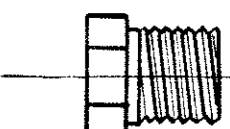
1 OFF LOCK NUT 2398 x 4



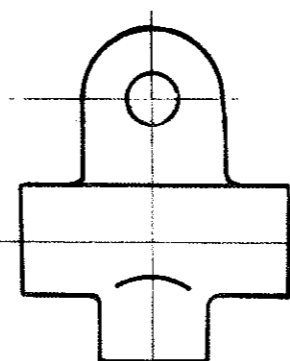
10 OFF NIPPLE P.36037  
SUPPLIED LOOSE WITH SET



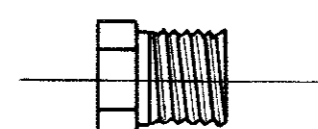
2 OFF NIPPLE P.19704  
SUPPLIED LOOSE WITH SET



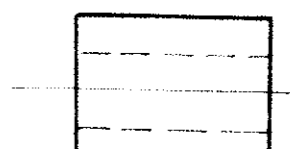
2 OFF TUBING NUT P.19705  
SUPPLIED LOOSE WITH SET



1 OFF 3WAY CONNECTION SK.66806  
SUPPLIED LOOSE WITH SET



5 OFF TUBING NUT P.38995  
SUPPLIED LOOSE WITH SET



2 OFF DISTANCE PIECE FOR  
DIST BOX 2325 x 4  
SUPPLIED LOOSE WITH SET

1	13.1.46	
2	6.2.46	
3	9.4.47	
4	11.8.47	CS
5	5.3.48	CS
6	18.10.48	W
7		
8		

**C.P.T.E. RED JACKALL SYSTEM FOR M.G. 1 1/4 LITRE 1946**

TR.	DR.	SMITHS JACKING SYSTEMS LTD	Y 63208
PA.	APP.	JACKALL WORKS	
CH.		EDGWARE ROAD	
		N.W.2.	